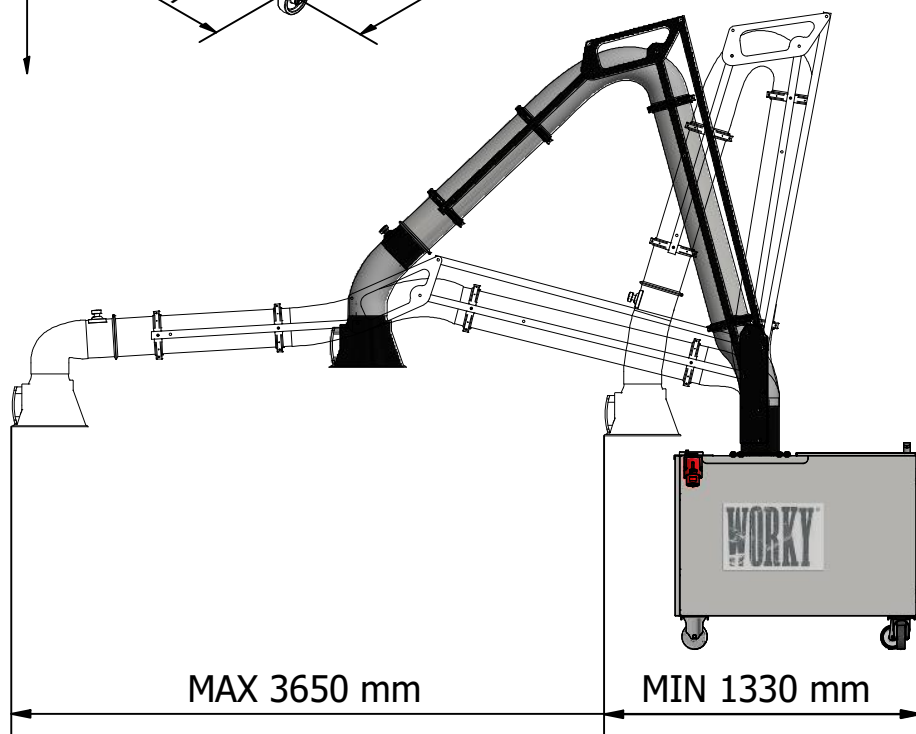
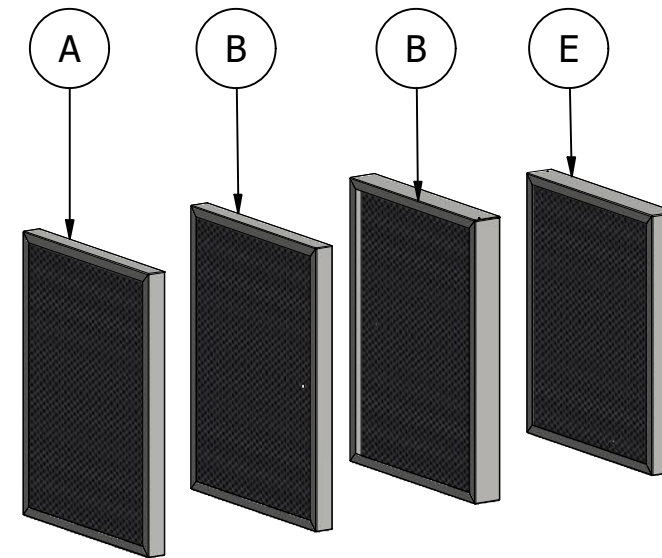
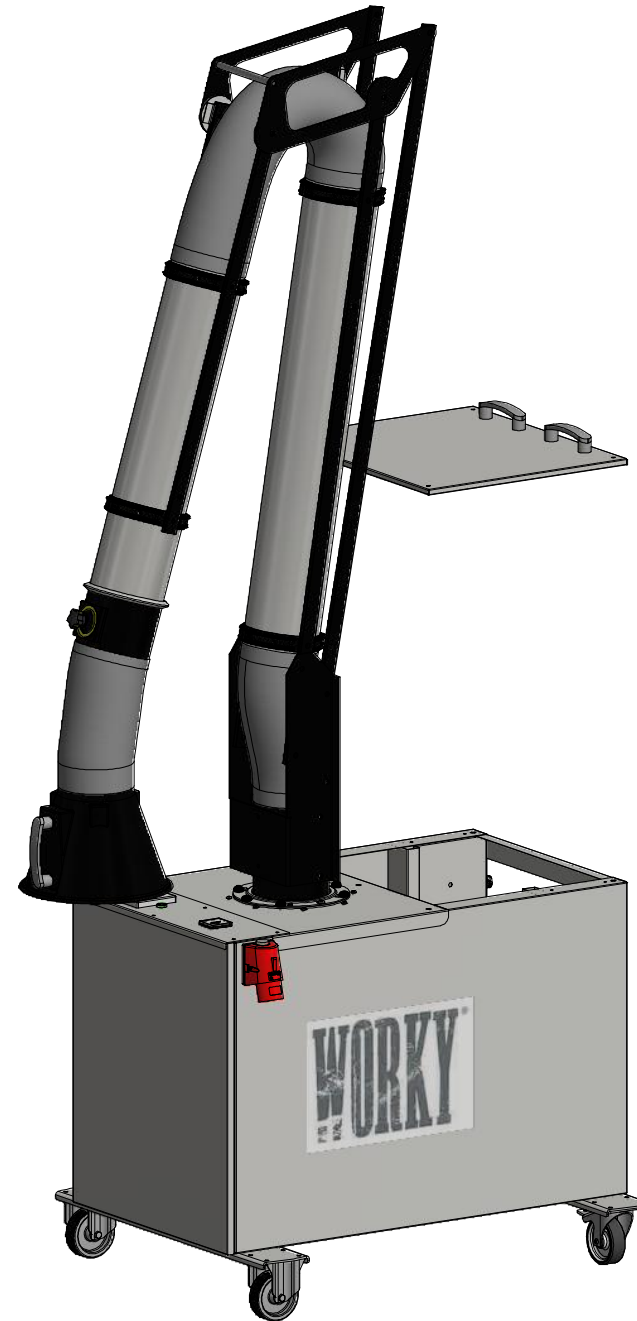
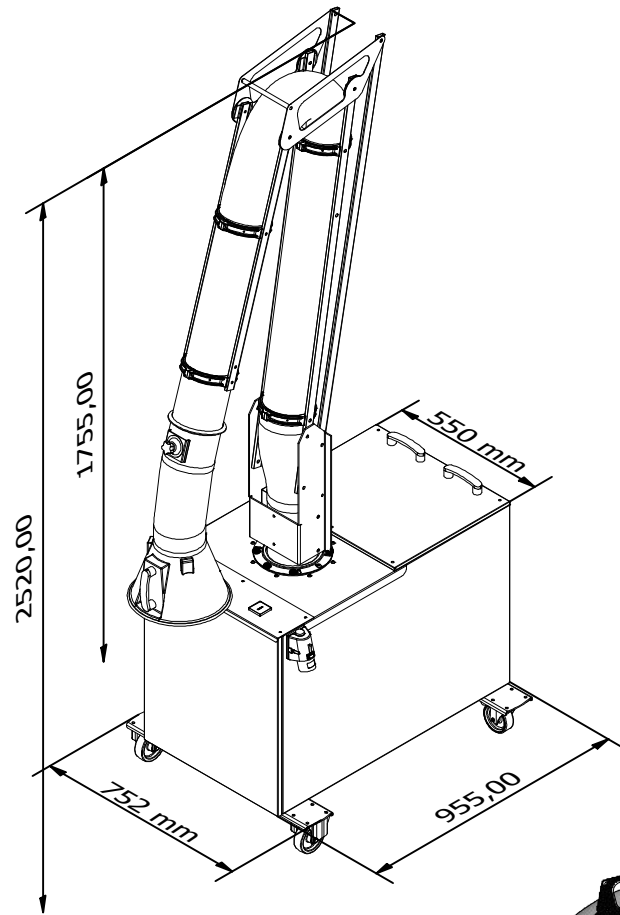




A brand of RO & CO S.p.A
 via Masaccio, 15 - Z.I. Mancasale
 42124 Reggio Emilia (RE) ITALY
 Tel. +39 0522 1545193
 Fax +39 0522 1546451
 vendite@worky-italy.com
 sales@worky-italy.com
 www.worky-italy.com

SMOBIPLUS-10 - technical datasheet



SMOBIPLUS-10

POS.	DESCRIPTION	CODES
A	METAL MESH PREFILTER	SMOBIP-FILCFM
B	PREFILTER	SMOBIP-FILCFW
B	PREFILTER	SMOBIP-FILCFW
E	10KG ACTIVATED CARBON FILTER	SMOBIP-CA10
⚡	1.1 KW - 1.5HP - 400V - 3P+T - 50Hz	
⚖	198	
📦	100X80X80 + 35X70X162	