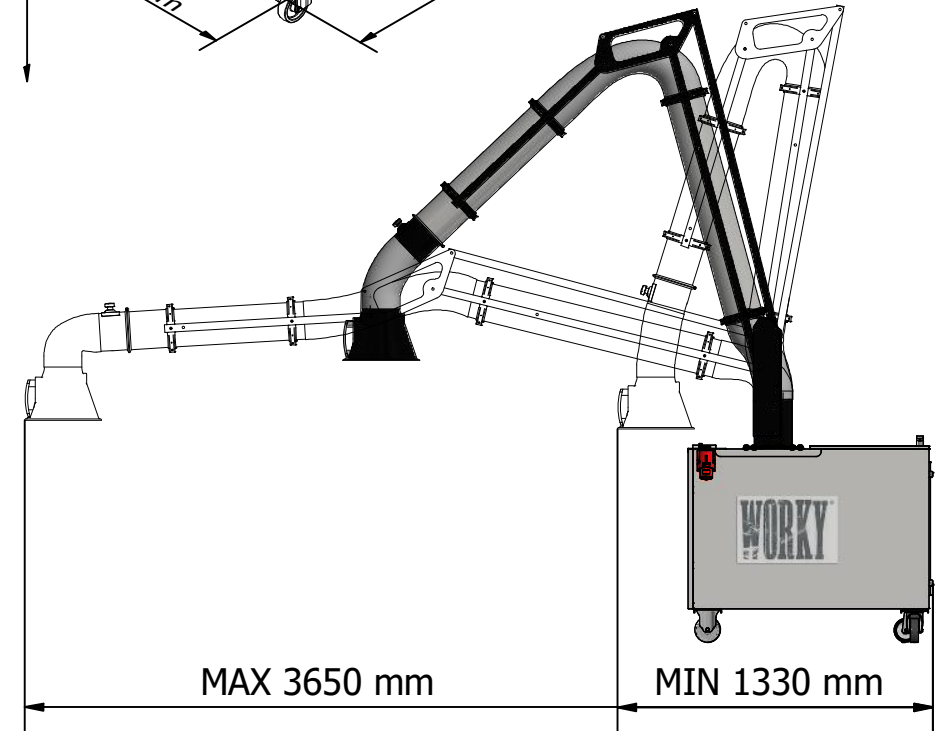
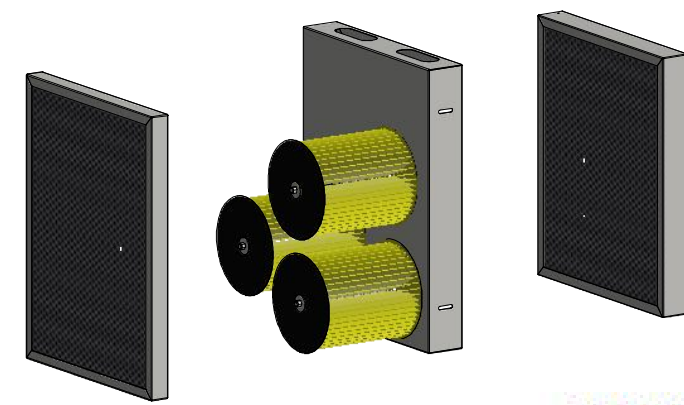
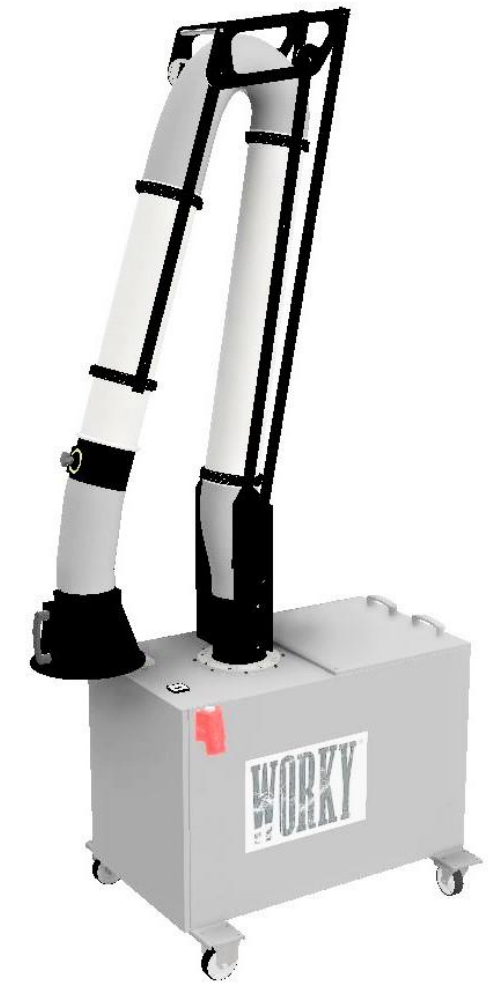
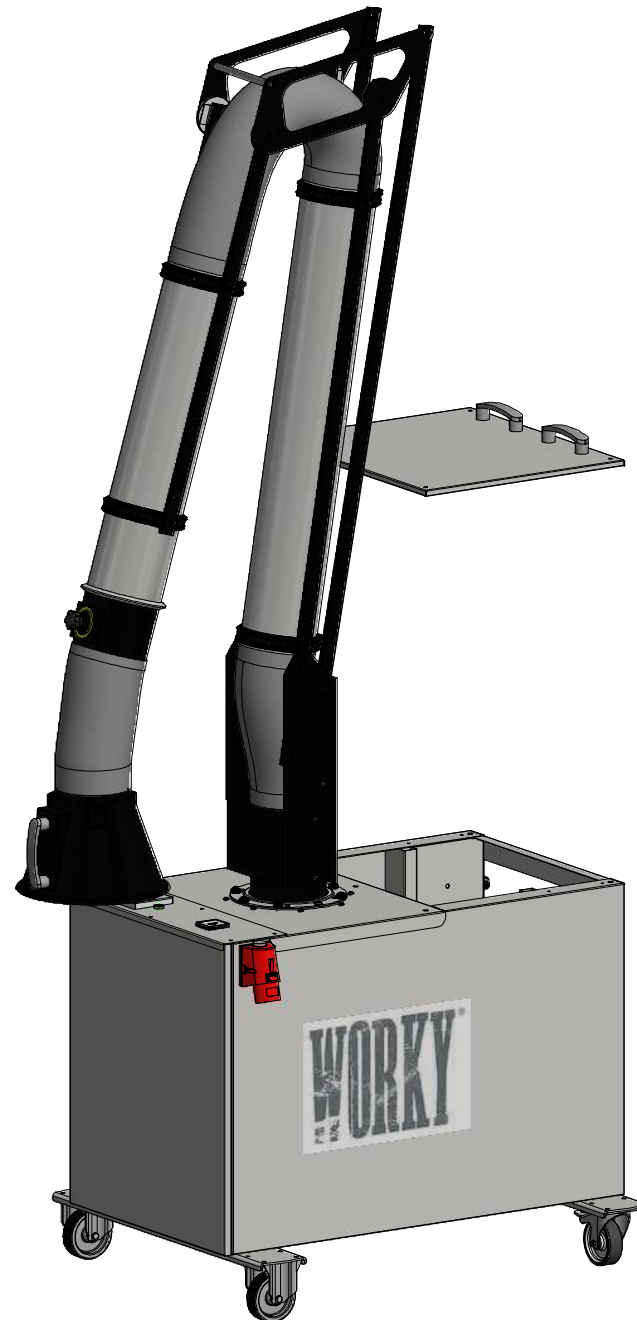
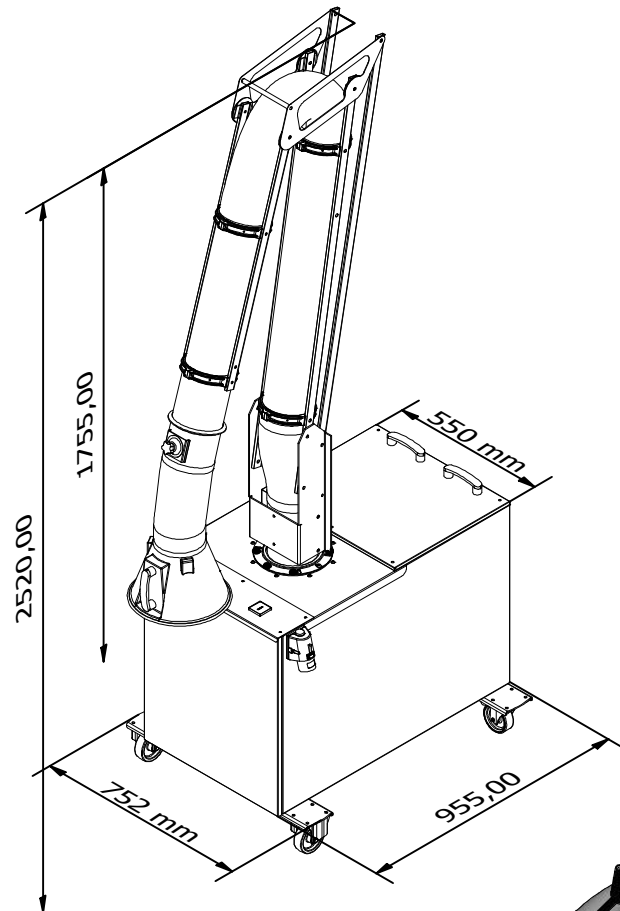


A brand of RO & CO S.p.A  
 via Masaccio, 15 - Z.I. Mancasale  
 42124 Reggio Emilia (RE) ITALY  
 Tel. +39 0522 1545193  
 Fax +39 0522 1546451  
 vendite@worky-italy.com  
 sales@worky-italy.com  
 www.worky-italy.com

## SMOBIPLUS-C - technical datasheet



### SMOBIPLUS-C

POS.	DESCRIPTION	CODES
A	METAL MESH PREFILTER	SMOBIP-CFM
F	CARTRIDGES PANEL	SMOBIP-CART
D	5KG ACTIVATED CARBON FILTER	SMOBIP-CA5
	1.1 KW - 1.5HP - 400V - 3P+T - 50Hz	
	195 KG	
	100X80X80 + 35X70X160	