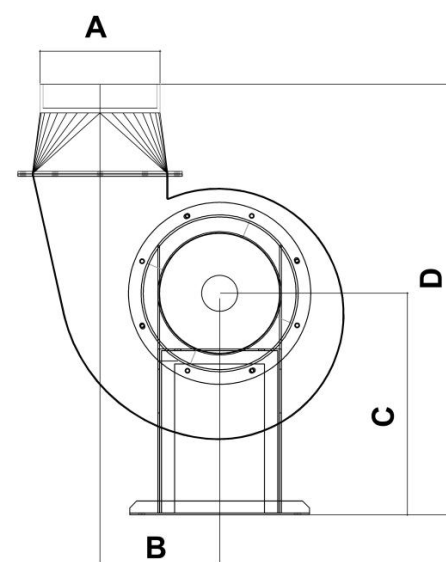
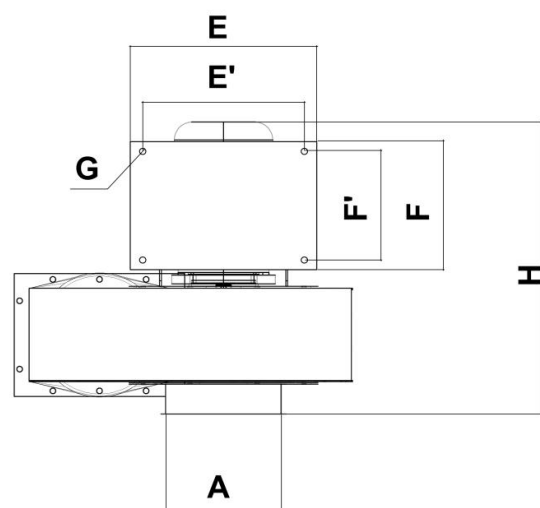
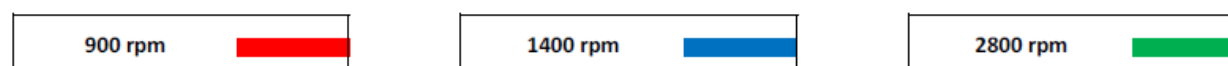


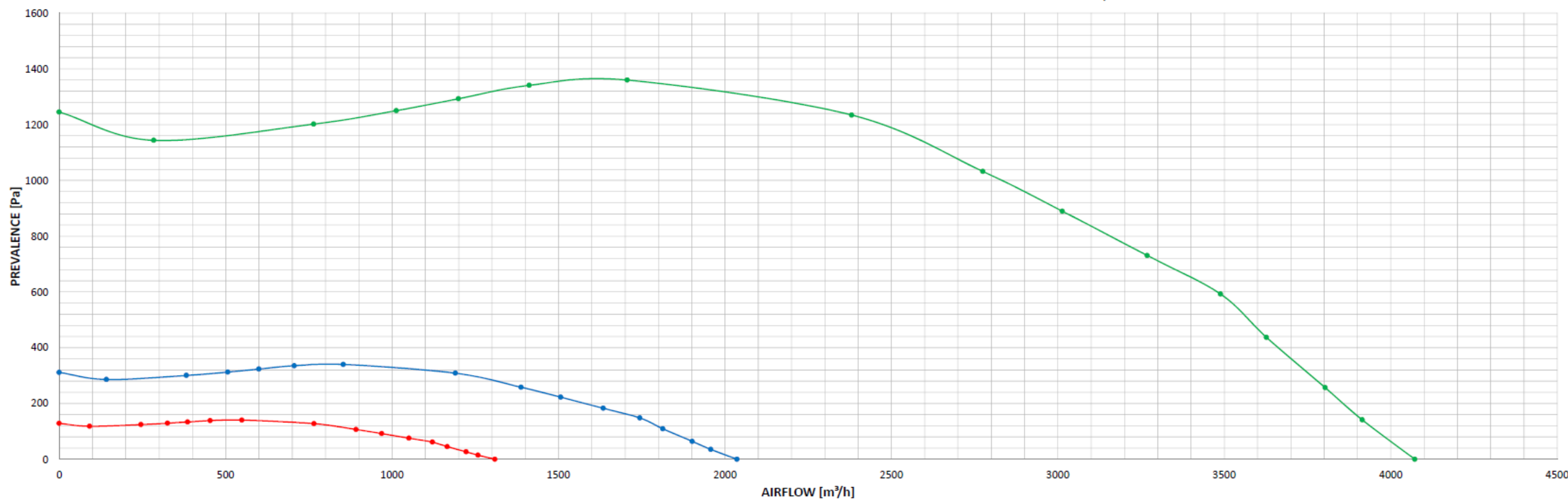
## GSA3



mm	GSA3	
A	200	
B	200	
C	370	
D	720	
E	300	
E'	260	
F	206	
F'	175	
G	11	
H	525	
Power (Kw - Hp)	2.2 - 3	
Tension (V)	230	400
Amperage (A)	7.7	4.3
Frequency (Hz)	50	
Rpm	2800	
Weight (Kg)	35	



VENTILATOR NR. 3 - PERFORMANCE CURVE AT 3 DIFFERENT SPEEDS - STANDARD CONDITIONS: T=20°C ; UR=0%



per approvazione / for approval

Note / Notes

Committenza / Final Customer

Progettista / Designer

Distributore / Dealer

Progetto / Project Data / Date  
--- / --- / ---

Scala / Scale Rev.  
1: --- 0

Progettista / Designer

Approvato / Approved

Revisionato / Reviewed