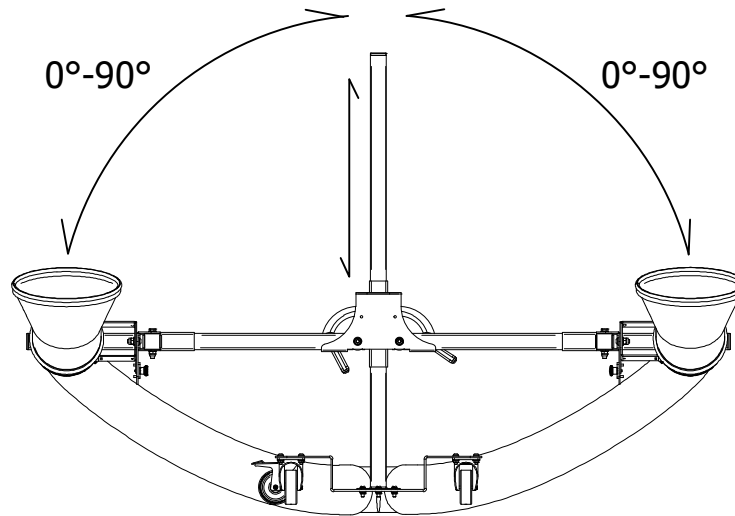
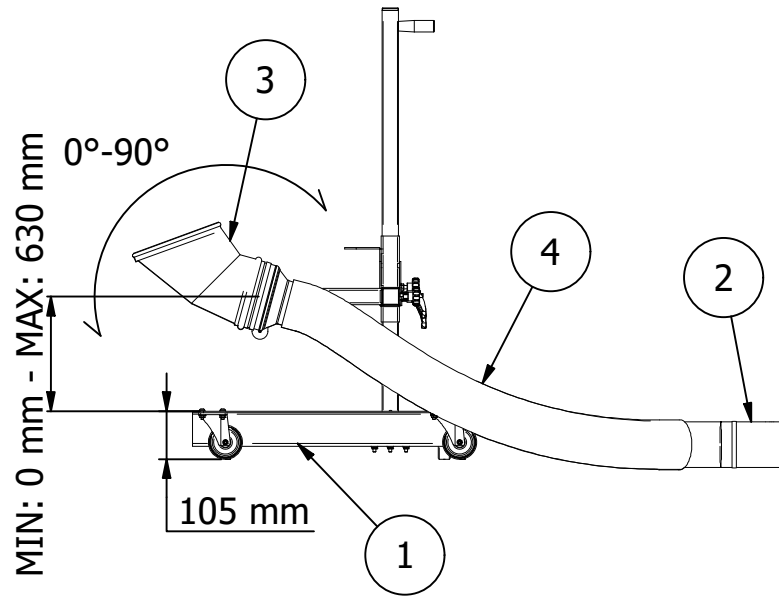


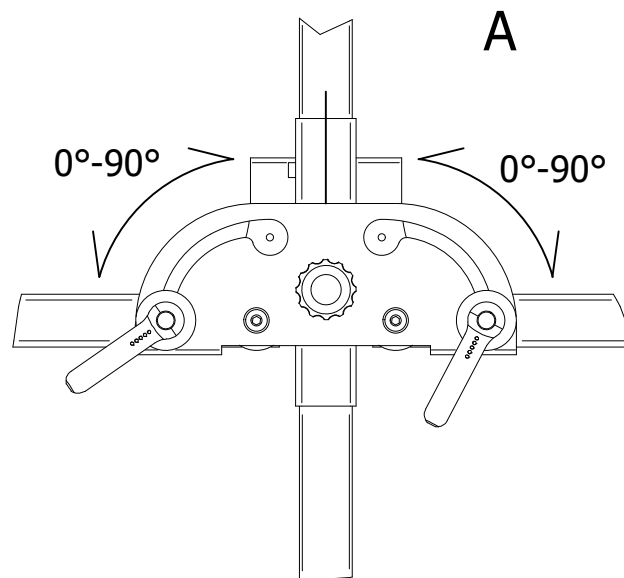
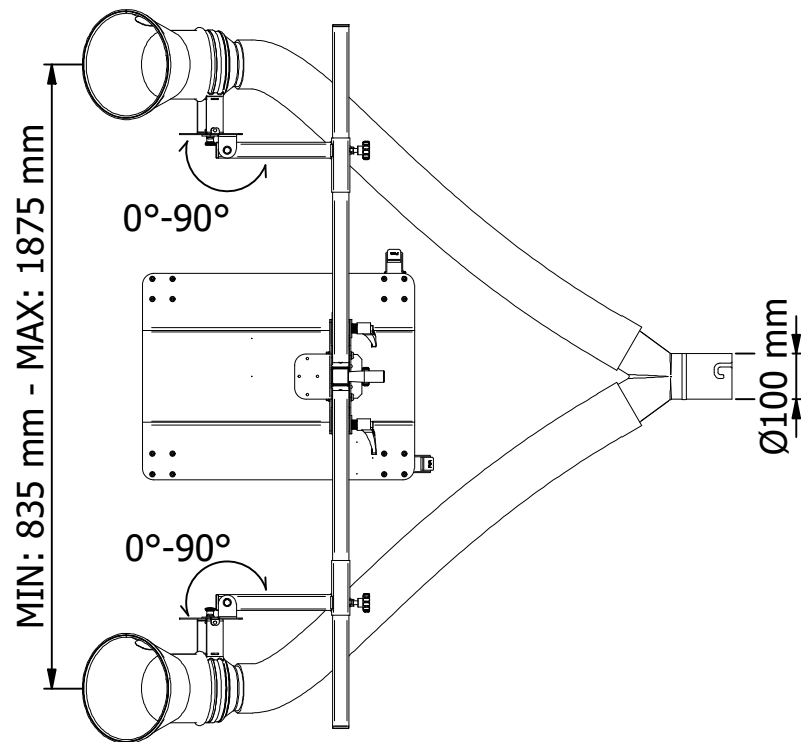


A brand of RO & CO S.p.A.  
 via Masaccio, 15  
 42124 Reggio Emilia (RE) ITALY  
 Tel. +39 0522 1545193  
 Fax +39 0522 1546451  
 vendite@worky-italy.com  
 sales@worky-italy.com  
 www.worky-italy.com

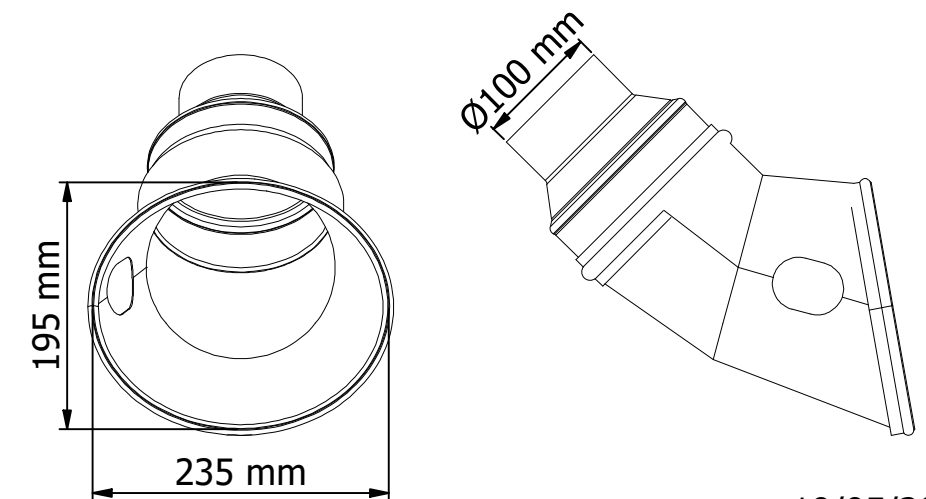
# GYNMA-100100100HT5 - technical datasheet



| POS. | QTÀ | NUMERO PARTE               |
|------|-----|----------------------------|
| 1    | 1   | GYNMA-WNHT                 |
| 2    | 1   | 700.16.011.0               |
| 3    | 2   | 606.12.004.3 + GCR150R100L |
| 4    | 2   | GT5-1501.25                |



## 606.12.004.3 + GCR150R100L



Rev.00

19/05/2020