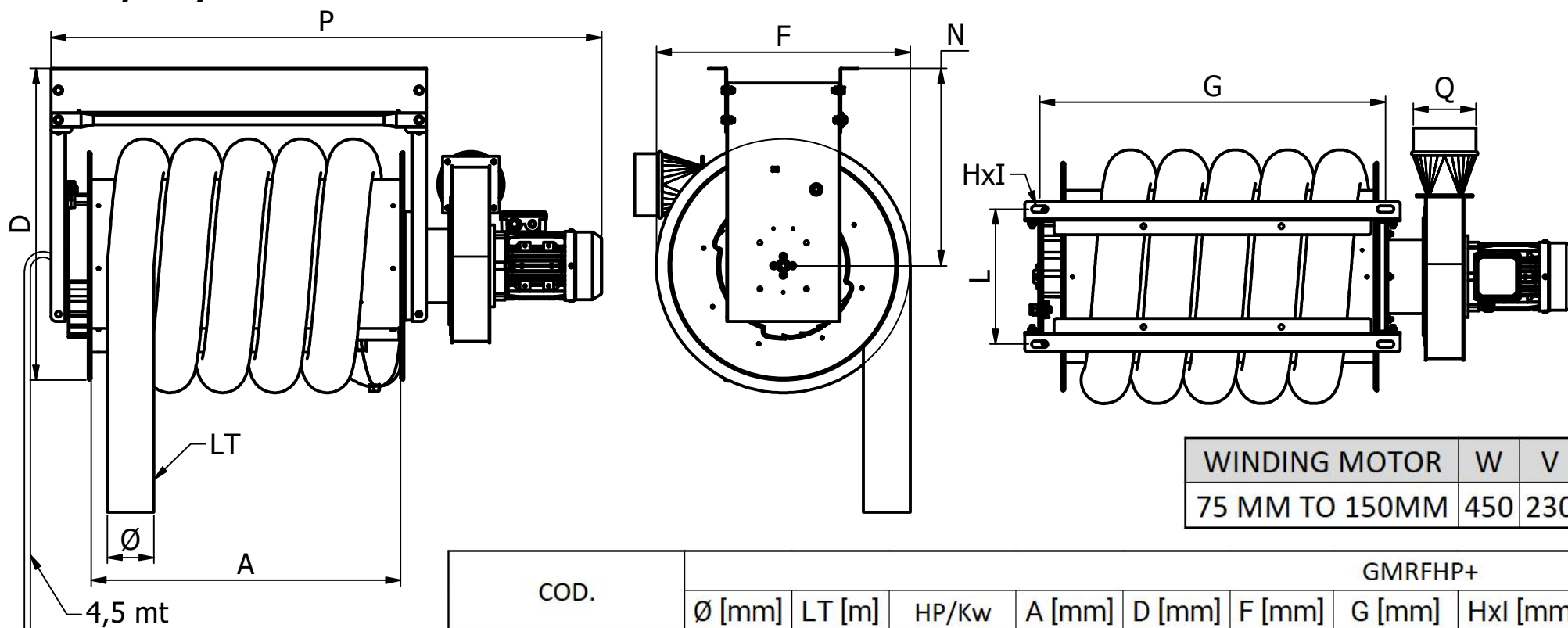
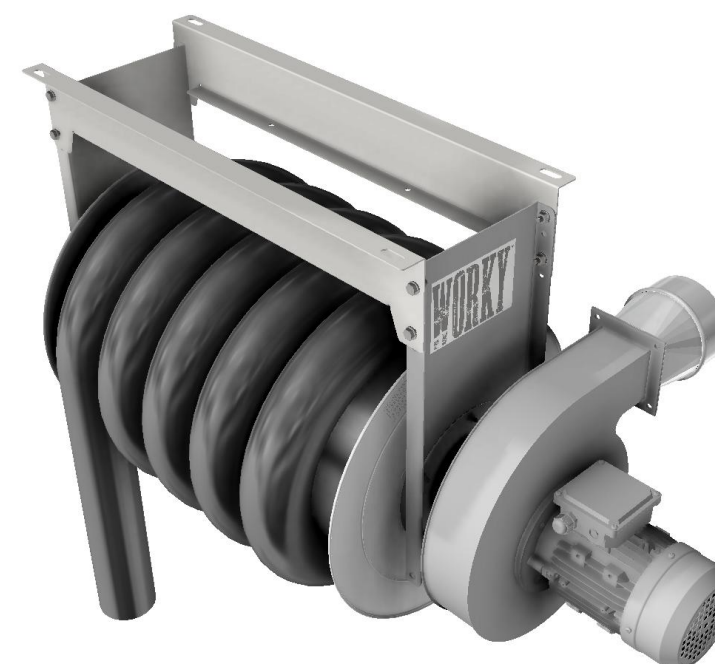




A brand of RO & Co S.p.A.  
 via Masaccio, 15  
 42124 Reggio Emilia (RE) ITALY  
 Tel. +39 0522 1545193  
 Fax +39 0522 1546451  
 vendite@worky-italy.com  
 sales@worky-italy.com

# GERFHP+ / GERFTHP+ technical datasheet

www.worky-italy.com



WINDING MOTOR	W	V	Ph	Hz	A	Torque [Nm]	max lift [Kg]
75 MM TO 150MM	450	230	1	50	2	170	145



GERF/US+



GERFT/US+

COD.	GMRFHP+												
	Ø [mm]	LT [m]	HP/kw	A [mm]	D [mm]	F [mm]	G [mm]	HxI [mm]	L [mm]	P [mm]	Q [mm]	N [mm]	Kg
GMRFHP+757.5	75	7.5	0.5/0.37	630	635	528	702	20x13	274	838	125	376	48
GMRFHP+7510		10	0.5/0.37	800	635	528	2x436		274	1335	125	376	52
GMRFHP+7512.5		12.5	0.5/0.37	680	804	650	2x339,5		324	1216	125	484	65
GMRFHP+7515		15	0.5/0.37	850	843	650	2x436		324	1386	125	484	70
GMRFHP+1007.5	100	7.5	0.5/0.37	630	685	578	702	20x14	274	1179	125	401	46
GMRFHP+10010		10	0.5/0.37	800	685	578	2x436		274	1335	125	401	55
GMRFHP+10012.5		12.5	0.5/0.37	850	818	678	2x424,5		324	1386	125	484	66
GMRFHP+10015		15	0.5/0.37	1080	843	678	3x360		324	1641	125	484	78
GMRFHP+1257.5	125	7.5	1.5/1.1	680	843	730	2x339,5	20x15	324	1241	160	484	70
GMRFHP+12510		10	1.5/1.1	850	843	730	2x424,5		324	1411	160	484	77
GMRFHP+12512.5		12.5	1.5/1.1	1080	843	730	3x360		324	1641	160	484	90
GMRFHP+12515		15	1.5/1.1	1080	843	730	3x360		324	1641	160	484	93
GMRFHP+1507.5	150	7.5	1.5/1.1	680	893	780	2x339,5	20x16	324	1241	160	484	79
GMRFHP+15010		10	1.5/1.1	850	893	780	2x424,5		324	1411	160	509	85
GMRFHP+15012.5		12.5	1.5/1.1	1080	893	780	3x360		324	1641	160	509	92
GMRFHP+15015		15	1.5/1.1	1272	893	780	3x445		324	1833	160	509	105