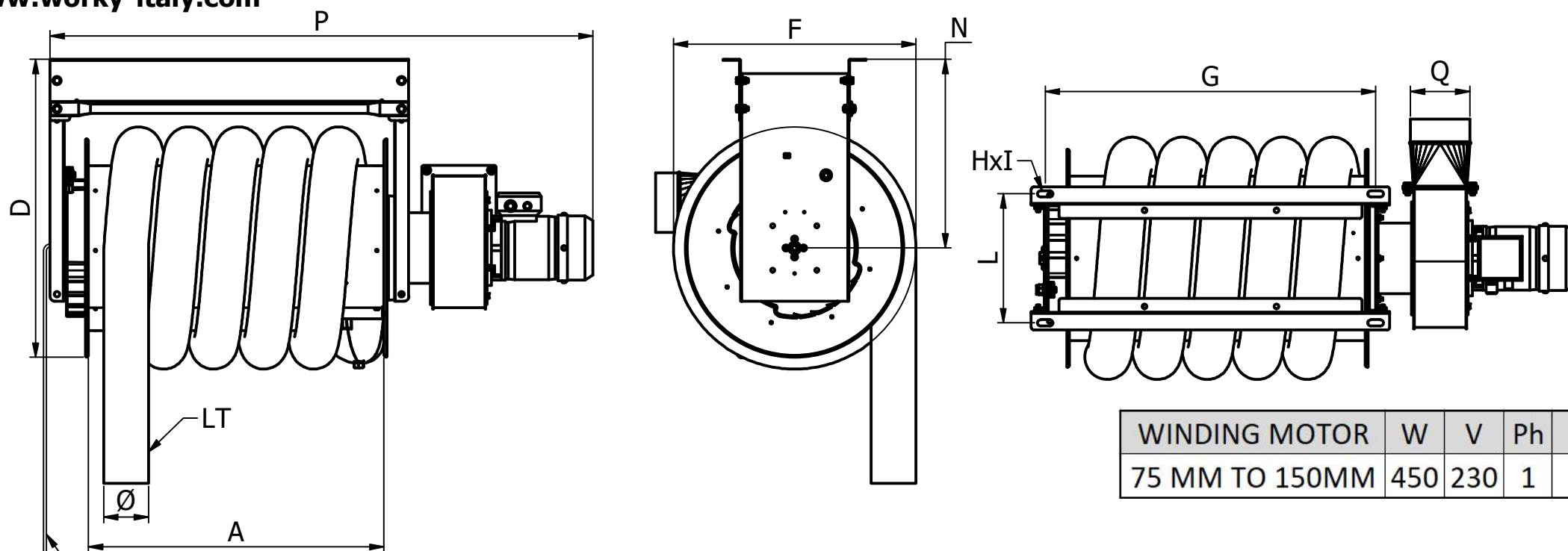
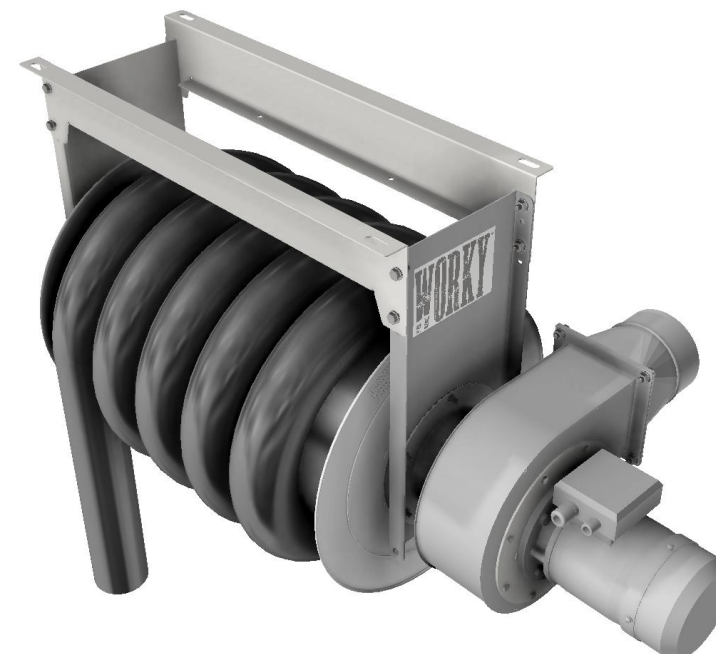




A brand of RO & Co S.p.A.
 via Masaccio, 15
 42124 Reggio Emilia (RE) ITALY
 Tel. +39 0522 1545193
 Fax +39 0522 1546451
 vendite@worky-italy.com
 sales@worky-italy.com

GERF+ / GERFT+ technical datasheet

www.worky-italy.com



WINDING MOTOR	W	V	Ph	Hz	A	Torque [Nm]	max lift [Kg]
75 MM TO 150MM	450	230	1	50	2	170	145



GERF+



GERFT+

COD.	GERF+ / GERFT+												
	Ø [mm]	LT [m]	HP/kw	A [mm]	D [mm]	F [mm]	G [mm]	Hxl [mm]	L [mm]	P [mm]	Q [mm]	N [mm]	Kg
GERF+757.5	75	7.5	0.5/0.37	630	635	528	702	20x13	274	1179	125	376	50
GERF+7510		10	0.5/0.37	800	635	528	2x436		274	1335	125	376	52
GERF+7512.5		12.5	0.5/0.37	680	804	650	2x339,5		324	1216	125	484	64
GERF+7515		15	0.5/0.37	850	843	650	2x436		324	1386	125	484	71
GERF+1007.5	100	7.5	0.5/0.37	630	685	578	702	20x14	274	1179	125	401	53
GERF+10010		10	0.5/0.37	800	685	578	2x436		274	1335	125	401	59
GERF+10012.5		12.5	0.5/0.37	850	818	678	2x424,5		324	1386	125	484	72
GERF+10015		15	1/0.75	1080	843	678	3x360		324	1661	160	484	84
GERF+1257.5	125	7.5	1/0.75	680	843	730	2x339,5	20x15	324	1261	160	484	70
GERF+12510		10	1/0.75	850	843	730	2x424,5		324	1431	160	484	80
GERF+12512.5		12.5	1/0.75	1080	843	730	3x360		324	1661	160	484	92
GERF+12515		15	1/0.75	1080	843	730	3x360		324	1661	160	484	94
GERF+1507.5	150	7.5	1/0.75	680	893	780	2x339,5	20x16	324	1261	160	484	72
GERF+15010		10	1/0.75	850	893	780	2x424,5		324	1431	160	509	81
GERF+15012.5		12.5	1/0.75	1080	893	780	3x360		324	1661	160	509	94
GERF+15015		15	1/0.75	1272	893	780	3x445		324	1853	160	509	107